

MTP® Cassette Modules

Description

FiberFab Inc MTP® Cassette Modules provide secure transition between MTP® and LC or SC discreet connectors. They are used to interconnect MTP® backbones with LC or SC patching.

Modular system allowing for rapid deployment of high density data center infrastructure as well as improved troubleshooting and reconfiguration during moves, adds and changes. Cassettes can be mounted in 1U or 3U 19" multi-slot chassis.

MTP® Cassettes contain factory controlled and tested MTP®-LC fanouts to deliver optical performance and reliability. Low loss MTP® Elite and LC or SC Premium versions are offered featuring low insertion loss for demanding power budget high speed networks.

Features

- ▶ MTP® (US Conec) brand MPO standard compliant multifiber connector
- ▶ LC (SFF Data Centre standard), SC discreet interface
- ▶ OS1/2, OM3, OM4 fiber grades (OM1 and OM2 available)
- ▶ 12 and 24 fiber versions - 12 LC (Duplex) / SC (Simplex) optical parts
- ▶ Polarity A (standard), B or C
- ▶ Factory Terminated and Tested
- ▶ High performance zirconia sleeve adaptors

Benefits

- ▶ **Rapid Deployment-** factory terminated modular system saves installation and reconfiguration time during moves, ads and changes.
- ▶ **MTP® Interface-** MTP® US Conec brand components feature superior optical and mechanical properties.
- ▶ **Optimized Performance-** low loss MTP® Elite, discreet Premium connectors and OM4 fiber assures low insertion losses and power penalties in tight power budget ,high speed network environments.
- ▶ **High Density-** 12 or 24 fiber cassettes can be mounted in 1U scaling up to 72 or in 3U scaling up to 336 discreet connectors.
- ▶ **Reliability-** 100% Tested- combination of high quality components and FiberFab Inc manufacturing quality control guarantees product to the highest standards.

Application

- ▶ Data Center Infrastructure
- ▶ Storage Area Network- Fiber Channel
- ▶ Parallel Optics

Standards Compliance

- ▶ TIA/EIA-568-C.3 and ISO/IEC 11801 - cable
- ▶ IEC-61754-7 & EIA/TIA-604-5 - MTP®
- ▶ Compliant to Directive 2002/95/EC (RoHS) and REACH SvHC
- ▶ IEC-61754-20 (LC) & IEC-61754-14 (SC)
- ▶ IEC-60793

Connector Performance

CONNECTOR MATING	IL AVERAGE	IL MAX	RETURN LOSS	CONNECTOR MATING	IL AVERAGE	IL MAX	RETURN LOSS
MTP Elite (MM)	0.10 dB	0.35 dB	NA	MTP Elite (SM)	0.10 dB	0.35 dB	>60dB
MTP (MM)	0.20 dB	0.60 dB	NA	MTP (SM)	0.25 dB	0.75 dB	>60dB
LC, SC Premium (MM)	0.08dB	0.15dB	NA	LC, SC Premium (MM)	0.12dB	0.15dB	>55/65dB*
LC, SC (MM)	0.15dB	0.30dB	NA	LC, SC (SM)	0.18dB	0.30dB	>55/65dB*

* UPC/APC



1 - 410-242-9026
1 - 800-790-9932



1 - 410-242-7747



sales@fiberfabinc.com

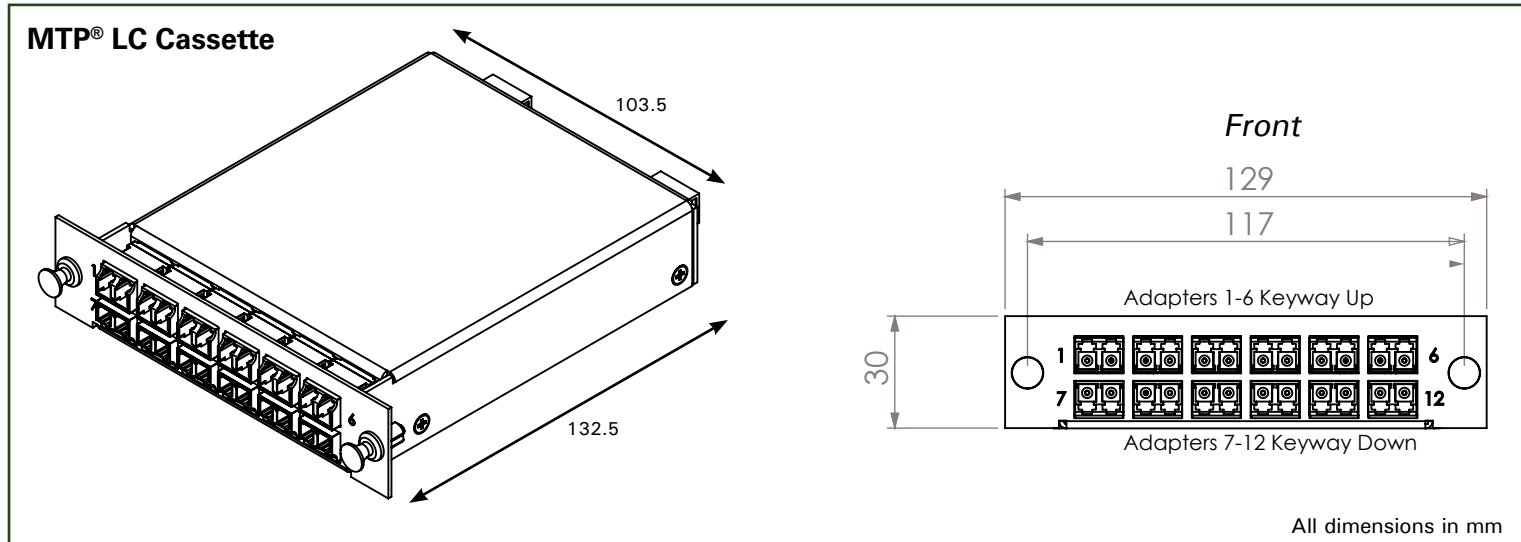


www.fiberfabinc.com

MTP® Cassette Modules

Technical Specification

Element	Characteristic
Fiber	OS1/OS2, OM1, OM2, OM3, OM4 (ISO/IEC 60793)
Adaptors	MTP® US Conec (IEC-61754 & EIA/TIA-604-5) Body Color: Black Polarity: Keyway up- Keyway down, Keyway up- Keyway up LC Duplex (IEC 61754-20) Body Color: Beige (MM), Aqua (MM), Blue (SM/UPC), Green (SM/APC) (Sleeve Material: Zirconia)
Connectors	MTP® US Conec (IEC-61754-7 & EIA/TIA-604-5) Boot Color: Black Body Sleeve Color: MM (Beige), MM Elite (Aqua), SM (Green), SM Elite (Yellow) LC (IEC 61754-20) Boot Color: White (MM and SM/UPC), Green (SM/APC) Body Color: Beige (MM), Blue (SM), Green (SM/APC)
Cassette Material	16 Gauge Aluminium (15mm Thickness) with a black powder coat finish (Colour: RAL9004)
Operating Temperature	-10 ~ +60°C
Storage Temperature	-40 ~ +70°C
Packaging Dimensions	150mm x 50mm x 215mm
Weight	0.55kg



Part Number Generator

MTP Connector		Fiber Count	Discreet Connector	Fiber type		CASS	Polarity	
MTP Male (standard)	MTPM	12	LC (LC)	OS1/OS2	09		A	N/A
MTP Male Elite®	MTPEM	24	SC (SC)	OM1	62		B1	B1
				OM2	50		B2	B2
				OM3	OM3		C	N/A
				OM4	OM4			

Female available on request

Example Part Number

MTPM24LCOM3CASS

This part number refers to 24 fibers OM3 cassette with MTP male rear and LC front interface, polarity method A or C.