

E2000 Adaptors

Description

FiberFab offers a range of high quality E2000 adaptors which have precision alignment sleeves for reliability and better reconnectability. Each E2000 connector has an in-built mechanism to open the shutter and guide the ferrule in the alignment sleeve. E2000 adaptors come with ceramic sleeves for singlemode and phosphor bronze sleeves for multimode. The housing is available in different colors and a flangeless body option.

Features

- ▶ Complies with IEC 61754-15
- ▶ Low insertion loss and high reconnectability
- ▶ RoHS, REACH SvHC compliant
- ▶ Available in simplex only

Applications

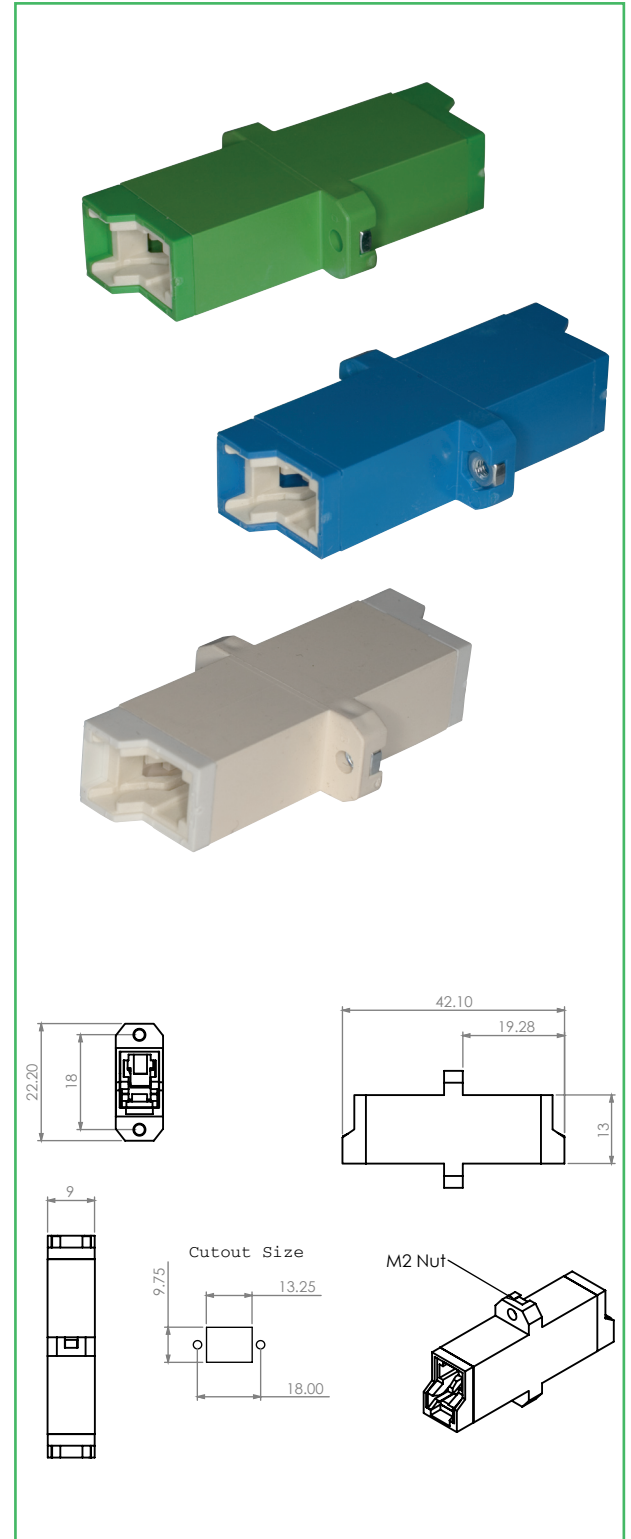
- ▶ Suitable for high power laser applications
- ▶ Telecommunications networks
- ▶ WDM, DWDM applications
- ▶ Testing and measurement equipment

Technical Specification

	Ceramic	Phosphor Bronze	Conformance
Insertion Loss (Typ)	0.1 dB	0.15 dB	IEC 61300-3-4
Mating Durability	500		IEC 61300-2-2
Receptacle Retention Force	2N – 5.9N		IEC 61754-20
Operating Temperature	-25 to +70, 12 cycles		IEC 61300-2-22

Ordering Information

Mode	Type	Color	Simplex	Configuration
SM	APC	Green	E2APCUGREEN	Flange with two holes and SC footprint
SM	PC	Blue	E2UBLUE	
MM	PC	Beige	E2UBEIGE	
SM	APC	Green	E2APCUGREEN/FL	Flangeless with SC footprint
SM	PC	Blue	E2UBLUE/FL	
MM	PC	Beige	E2UBEIGE/FL	



1 - 410-242-9026
1 - 800-790-9932



1 - 410-242-7747



sales@fiberfabinc.com



www.fiberfabinc.com