

Cassette Management Panels - LGX 3U Chassis

V.3.2

Description

FiberFab Inc offers an innovative, robust, high density 3U Chassis. This panel has been designed to accept up to 14 LGX style assemblies.

With the ability to use a full array of Adaptor types offering a flexible solution to the end user, enabling them to incorporate a multi functional chassis which allow easy access during installation or re-work with no disturbance of the existing cable or fibers.

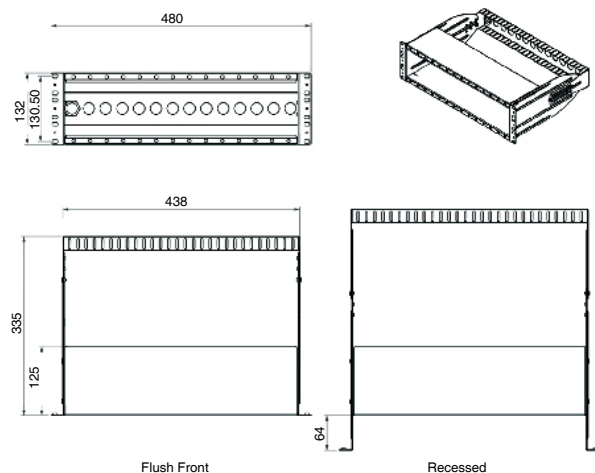
In the addition to the array of adaptors the chassis also offers multiple cable entry solutions, MTP trunk cables connected to 14 individual MTP cassettes with up to 24 fibers in each, loose tube cable connecting to 14 Individual extended cassettes to allow standard splicing or 14 LGX modules for pre terminated solutions, making this chassis one of the most flexible on the market.

Features/Benefits

- ▶ Up to 14 LGX components
- ▶ Up to 14 x 24 fiber MTP cassettes
- ▶ Multiple adaptor options available
- ▶ Fully integrated fiber management
- ▶ Splicing option available
- ▶ Flat pack for easy shipment
- ▶ Patch cord exit retrofit cable management available
- ▶ 30mm bend radius maintained throughout
- ▶ Individually labeled ports
- ▶ Accepts loose tube, distribution cable and MTP trunk cable
- ▶ ROHS, REACH SvHC and UL rated
- ▶ Fits standard 19"
- ▶ Rear cable management bar as standard

Applications

- ▶ Data centers, premise installations, telecommunication networks
- ▶ Ethernet, Fiber Channel, ATM, LAN, MAN and WAN
- ▶ Data communication
- ▶ Indoor applications



Product Specification

U Size	3U (133.2mm)
Width	480mm
Depth	335mm
Net weight	2.76 kgs
Packaged weight	3.24 kgs
Packaged dimensions	490mm W x 110mm H X 240mm D
IP rating	N/A
Suitable for Adaptor type	LGX / MTP Cassettes
Number of Module Positions	14
Mounting Adjustment range	64mm
Material	Cold- rolled steel
Material thickness	1.5mm
Material coating	Powder coating
Color	RAL 9004 / RAL 7035
Operating temperature	-40°c to +50°c
Designed in accordance with	TIA/EIA 568.C, ISO/IEC 11801, EN50173, IEC60304, IEC61754, EN297-1
Compliant to	RoHS, Reach/SVHC



1 - 410-242-9026
1 - 800-790-9932



1 - 410-242-7747



sales@fiberfabinc.com



www.fiberfabinc.com

Cassette Management Panels - S13 1U, 3 Port Sliding Patch Panel

V.3.2

Description

FiberFab Inc offers an innovative, robust 1U sliding patch panel. This panel has been designed to accept up to 3 LGX Modules or MTP cassettes within a 1U space.

With the ability to use a full array of adaptor types offering a flexible solution to the end user, enabling them to incorporate a multi functional panel which allow easy access during installation or re-work with no disturbance of the existing cable or fibers.

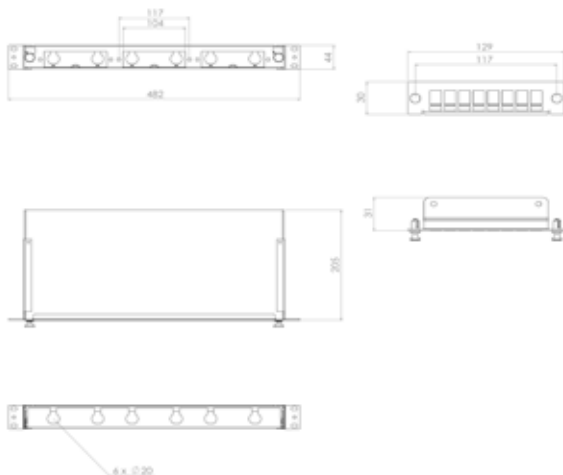
In the addition to the array of adaptors the panel also offers multiple cable entry solutions, up to 6 standard cable entry points for, loose tube, tight buffer, pre terminated and steel tape armoured cable.

Features/Benefits

- ▶ Up to 3 LGX/MTP modules in 1U
- ▶ Multiple adaptor options available
- ▶ 24 adaptor positions
- ▶ Individually labeled ports
- ▶ 45° open working angle
- ▶ Accepts loose tube, distribution and pre terminated cables
- ▶ ROHS, REACH SvHC and UL rated
- ▶ Fits standard 19"

Applications

- ▶ Data centers, premise installations, telecommunication networks
- ▶ Ethernet, Fiber Channel, ATM, LAN, MAN and WAN
- ▶ Data communication
- ▶ Indoor applications



Technical Specification

Element	Characteristic
U Size	1U (44.4mm)
Width	482mm
Depth	205mm
Net weight	2.5 kgs
Packaged weight	3 kgs
Packaged dimensions	450mm W X 55mm H x 260mm D
IP rating	IP20
Suitable for Adaptor type	LGX / MTP
Number of ports	3
Cable Entry 20mm	6
Mounting Adjustment range	50mm
Material	Cold- rolled steel
Material thickness	1.2mm
Material coating	Powder coating
Color	RAL 9004
Operating temperature	-40°c to +50°c
Designed in accordance with	TIA/EIA 568.C, ISO/IEC 11801, EN50173, IEC60304, IEC61754, EN297-1
Compliant to	RoHS, Reach/SVHC

Adaptor Plates

For all of your variations

	SC Multimode SIMPLEX
	L01 (8 ports/Adaptors)
	L01SCM08
	Adaptor only Part NO. SCUSPHBRBEIGE

	SC Singlemode SIMPLEX
	L01 (8 ports/Adaptors)
	L01SCS08
	Adaptor only Part NO. SCUSZR02

	SC-APC Singlemode SIMPLEX
	L01 (8 ports/Adaptors)
	L01SCA08
	Adaptor only Part NO. SCAPCUSGREEN

	SC Multimode DUPLEX
	L03 (6 ports/Adaptors)
	L03SCM06
	Adaptor only Part NO. SCUDPHBRBEIGE

	SC Singlemode DUPLEX
	L03 (6 ports/Adaptors)
	L03SCS06
	Adaptor only Part NO. SCUDZR02BLUE

	SC-APC Singlemode DUPLEX
	L03 (6 port/Adaptors)
	L03SCA06
	Adaptor only Part NO. SCAPCUDGREEN

	ST Multimode
	L02 (8 port/Adaptors)
	L02STM08
	Adaptor only Part NO. STUPHBR

	ST Singlemode
	L02 (8 port/Adaptors)
	L02STS08
	Adaptor only Part NO. STUZR02

	FC Singlemode
	L02 (8 port/Adaptors)
	L02FCS08
	Adaptor only Part NO. FCUPHBR-D

	FC Multimode
	L02 (8 port/Adaptors)
	L02FCM08
	Adaptor only Part NO. FCUZR02-D

	FC-APC Singlemode
	L02 (8 port/Adaptors)
	L02FCA08
	Adaptor only Part NO. FCAPCUZR02-D

	LC Multimode DUPLEX
	L01 (8 ports/Adaptors)
	L01LCM08
	Adaptor only Part NO. LCDPXBEIGE

	LC Singlemode DUPLEX
	L01 (8 ports/Adaptors)
	L01LCS08
	Adaptor only Part NO. LCDPXBLUE

	LC-APC DUPLEX
	L01 (8 ports/Adaptors)
	L01LCA08
	Adaptor only Part NO. LCAPCUDGREEN

	LC QUAD Multimode
	L03 (6 ports/Adaptors)
	L03LQM06
	Adaptor only Part NO. LCQUADBEIGE

	LC QUAD Singlemode
	L03 (6 ports/Adaptors)
	L03LQS06
	Adaptor only Part NO. LCQUADBLUE

	MTRJ
	L01 (8 port/Adaptors)
	L01MTM08
	Adaptor only Part NO. MTRJUNITER

	E2000 Multimode
	L01 (8 port/Adaptors)
	L01E2M08
	Adaptor only Part NO. E2UBEIGE

	E2000 Singlemode
	L01 (8 port/Adaptors)
	L01E2S08
	Adaptor only Part NO. E2UBLUE

	E2000-APC Singlemode
	L01 (8 port/Adaptors)
	L01E2A08
	Adaptor only Part NO. E2APCUGREEN

	BLANK PLATE
	L04



1 - 410-242-9026
1 - 800-790-9932



1 - 410-242-7747



sales@fiberfabinc.com



www.fiberfabinc.com